



Pre Order Information
DIT BOX Mk5 & DIT BOX - BASE



Table of Contents

DIT BOX Pre Order Information & FAQ	Page 3 and 4
Support Contacts	Page 4
What is the DIT BOX Mk5?	Page 5
DIT BOX Mk5 Pricing	Page 6
DIT BOX Mk5 Additional Information	Page 7, 8 and 9
DIT BOX Mk5 Optional Add-Ons	Page 10
What is the DIT BOX - Base?	Page 11
DIT BOX - Base Pricing	Page 12
DIT BOX - Base Additional Information	Page 13 and 14
DIT BOX - Base Optional Add-Ons	Page 15, 16 and 17

DIT BOX Pre Order Information & FAQ

Upgrade Innovations and Chromatic Pictures are excited to bring you details regarding the DIT BOX Mk5 system.

The DIT BOX system is available **ONLY** via pre order during designated ordering windows. We are currently accepting pre orders for DIT BOX options until:

November 20th, 2024

**Note Upgrade Innovations must receive the minimum target of DIT BOX pre orders by November 20th to go forward with production.*

The estimated build time for the DIT BOX system is 16 weeks (*not including holiday breaks*). Based on this production timeline, we expect units to be ready to ship by:

Early April 2025

(subject to change - all customers will be notified if production timeline changes)

How Do I Pre-Order A DIT BOX?

Fill out the [DIT BOX Mk5 and DIT BOX - Base Pre Order Form!](#)

Once all DIT BOX Pre Order Forms have been submitted, Upgrade Innovations will provide a final quote to be approved. This quote will consist of the invoice total and shipping costs, as well as, the non-refundable deposit required to complete your pre order. You will need to ensure your non-refundable deposit is paid in order for production to begin.

**Note Upgrade Innovations must receive the minimum target of DIT BOX pre orders by November 20th to go forward with the above production timeline.*

How and where do you ship the DIT BOX?

The DIT BOX will ship via DHL to USA and other international countries. Within Canada, the DIT BOX will ship via FedEx. Shipping charges will be applied to final invoice.

Orders shipped outside of Canada are subject to import duties, taxes, and customs processing fees.

What do I need to order separately from Authorized Vendors? (for DIT BOX Mk5)

You will need to order the following items separately to install into your DIT BOX in order to complete your build:

- AJA Kumo 3232 or 1616
- 1 or 2 Flanders Scientific BOX IO LUT boxes (or 3 if getting the additional add-on)
- Decimator DMON-QUAD
- Video Capture Card (refer to [Sonnett compatibility PDF](#), and note that only single slot capture cards are supported)
- CalDigit TS4+ or TS3+ (*TS4 is recommended*)
- Macbook Pro

We provide all the power cables and mounting hardware for these devices to be installed.

Additional DIT BOX Details

Check out the DIT BOX Manual, BNC Cable Plan, ([available here](#)) or visit the [DIT BOX category](#) on our website.

Contact us if you have not received a pdf of the DIT BOX Manual.

**Note, the updated DIT BOX Manual for the Mk5 system will be completed sometime in February/March 2025 to properly showcase the latest updates. Stay tuned!*

General Technical Support:

Chris Bolton – ditbox@upgradeinnovations.com

Mechanical Component Support:

Darrel Voser – ditbox@upgradeinnovations.com

Electrical Technical Support:

Chris Bolton - ditbox@upgradeinnovations.com

Electrical and Video Accessories:

If you would like to purchase additional custom power or video cables, power supplies, and power distribution boxes, please contact us at ditbox@upgradeinnovations.com

Important: All DIT BOX users must read the [DIT BOX READ ME BEFORE OPERATING PDF](#).

What is the DIT BOX Mk5?

The DIT BOX is a collaborative design between credited Digital Imaging Technician, Chris Bolton, & the Upgrade Innovations Team.

The DIT BOX Mk5 is a portable Live Grade system to take your live grading and monitoring setup anywhere a camera can go. The DIT BOX is designed to fit all the essential live grading tools for up to 4 cameras (or up to 6 with available add-ons) into a Pelican Air 1535, that can easily be packed into remote locations.

The DIT BOX is powered by a custom, Cramped Attic - 24 volt power distribution module with separate 20V and 12V kill switches and fan controller. With a primary and secondary 24V input, you can swap power inputs without components losing power.

The custom modified Pelican case features a removable top lid, removable BNC panel cover for transport and a modified backside to accommodate a 120mm fan and 24x Neutrik D-Series connector (*almost the same I/O as most DIT carts*). Side, back, and 2 front mounted cheese plates with ARRI 3/8-16" and SmallHD 1/4-20" Pin-Loc patterns, allow for mounting additional accessories.

The DIT BOX has a removable machined aluminum frame that helps keep mounted electronics cooler and allows for easy access when service is needed. The aluminum inner bracketry mounts the following devices:

FSI Box IO (*not included*): Live grade up to 4 cameras with two BoxIOs. Add 2 more camera feeds with an optional 3rd BoxIO. For HD HDR workflows run with 2 box IO's for full 3 cube Tetrahedral colour.

AJA KUMO 3232 or KUMO 1616 (*not included*): allows for up to 32 in and 32 out HD signals. Use the built in WEB GUI for signal control, or live grade studios built in software controls or add on a Stream deck for physical assignable buttons.

CalDigit TS4+ (*not included*): Adds Thunderbolt 4 support, additional I/O and additional charging power for Apple silicon laptops. CalDigit TS3 is also still supported.

NetGear GS105 (*included*): allows for network control of all internal devices via the Macbook Pro's single Thunderbolt 3 port.

Decimator DMON-QUAD (*not included*): For SDI multiview.

Sonnet Express SE I (*included*): Add most single lane capture cards to the DIT BOX including the popular Black Magic DeckLink Quad 2 for 8 channels of HD video I/O or a DeckLink Duo 2 card for 4 channels of HD video I/O.

*Please also note that the daughter board has been removed so ONLY single slot capture cards are supported.

The Laptop Tray mounts to the DIT BOX laptop brackets to securely mount a 13", 15" or 16" Macbook Pro. Optional accessories for the Laptop Tray are available for mounting to baby pin with a spigot adapter using our Quick Release VESA plate.

The base of the DIT BOX features a bottom bracket for mounting an optional spigot mount, a Ronford Baker QR plate or the Upgrade Innovations QR VESA Plate. The DIT BOX base is also equipped with longer feet to allow your DIT Box to rest sturdily when a Upgrade Innovations QR plate is mounted underneath.

DIT BOX Mk5 Pricing

DIT BOX Mk5

Price: \$8,640.00 USD / \$11,520.00 CAD (plus applicable tax/shipping)

Deposit required: \$5,232.00 USD / \$6,976.00 CAD

DIT BOX Mk5 - NO VIDEO CABLES

Price: \$6,945.00 USD / \$9,260.00 CAD (plus applicable tax/shipping)

Deposit required: \$4,294.50 USD / \$5,726.00 CAD

BNC Cables are not provided in this option for those that prefer to build your own cables and/or your own routing plan with this option. The BNC Label Plates are not laser engraved.

The DIT BOX Mk5 includes the following components:

- Modified Pelican 1535 Air with Removable Lid
- DIT BOX Custom Internal Frame
- Laptop Tray with Laptop Clamps and Shim
- Bottom Bracket with 3/8-16 and Vesa Mounting Points
- Delrin Feet
- Rear BNC Panel Cover Plate
- 120mm Silent Fan & Fan Guards
- **NEW*** 4x Outer Cheese Plate with ARRI 3/8-16" and SmallHD 1/4-20" Pin-Loc mounting
- **NEW*** CalDigit TS4 Keyhole bracket for efficient access & release from DIT BOX
- Engraved BNC Panel Label Plates*
- 24x Neutrik D-Series Connectors (2x Power, 1x Ethernet and 21x BNC)
- Sonnet Echo Express 1 and custom mounting enclosure
- DC Regulator and Distribution box with built in fan
- 24Volt 350 Watt Power Supply with AC cable and Mounting Bracket
- CalDigit power cable to XLR
- AJA Kumo power cable
- Sonnet PCIE card enclosure power cable
- Power cables for two Box IO's to LEMO connector
- Decimator power cable to LEMO connector
- Open lead power cable to LEMO connector
- 24 volt 6' power extension cable
- NetGear Prosafe GS105 with 5x Ethernet Cables

**Engraved according to BNC Cable Plan. If you order the No Video Cable version, these are not engraved.*

Not included in No Video Cable version:

- 30x 12G Rated Straight to Straight BNC Cables
- 16x 12G Rated Angle BNC Cables
- BNC Cable Plan and AJA Routing Plan ([available here](#))
- Streamdeck Routing Macros and Live Grade Studio Video Macros ([available here](#))

*Please note that the DIT BOX **DOES NOT** ship with the following components: FSI BOX IO, CalDigit, AJA KUMO, Decimator, or Black Magic Quad 2 or Duo 2. We build the box to house these components. Please purchase these devices separately from an authorized local supplier.*

DIT BOX Mk5 Information



The power distribution box allows for seamless power swap between the 24V primary & secondary power inputs.

The regulated 20volt side powers either the CalDigit TS4+ or TS3+ to power your Macbook Pro laptop. Charges MacBook Pro up to 86 watts via TS3 and 98 watts via TS4.

Regulated 12volt power distribution system powers up to 10 devices via 2pin Lemo 0B ports (up to 3amps). Total shared load is 12 Amps (144 Watts).

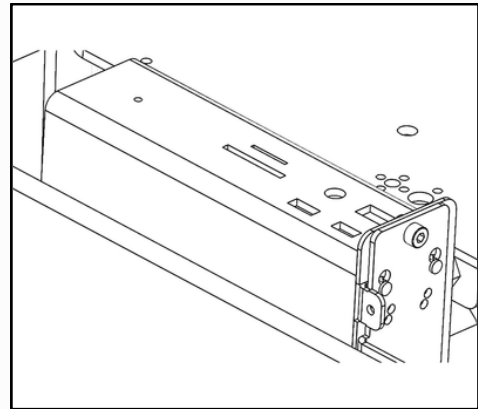


The power distribution breakout control box has the ability to adjust the fan speed with finer control from 20% to 100%. Turn on and off both the 12V and 20V separately for resetting devices.

The front LED's show if the Primary and Secondary inputs are getting power. Note that the Primary input overrides the secondary input if power is sufficient to run the DIT BOX.



With a primary and secondary 24V input, you can swap power inputs without components losing power. Both inputs regulate input power from 21-30 volts .



NEW – CalDigit TS4 Keyhole bracket for efficient access and release from DIT BOX. *Not compatible with TS3.* The CalDigit TS3 can still be used, but can only be direct mounted with screws.

Using the CalDigit TS3+ or TS4 and a 5 port Ethernet Switch, you can control all internal devices via the Macbook Pro's Thunderbolt 3 port.



Includes a custom enclosure to accommodate a single lane capture card on the upper shelf (for example, Black Magic Deck Link Quad 2 or Duo 2).



Loosen and pull out internal frame to access components when needed.

DIT BOX Mk5 Information



Rear back panel to accommodate 21 x HD-SDI Neutrik D-Series connectors and a 120mm silent fan. BNC label plates provide a flat surface for labelling connectors. Ethernet port on rear back panel for adding an additional device or another network switch.



Cover BNC back panel for transport with cover plate via captive thumbscrew.



Laptop Tray accommodates Macbook Pro 13", 15" or 16". Laptop Tray is secured to case with two thumbscrews. When removing Laptop Plate, park thumbscrews into available M6 tapped hole.



Quickly remove the Pelican Air lid by pulling out two hinge pins. Ideal to remove the obstruction of the lid during use.



Equipped with bottom mounting bracket and longer feet to rest sturdily when a QR plate is mounted underneath



Modified Pelican Air 1535 still features the integrated case features for transport.

DIT BOX Mk5 Information



Two front mounted cheese plates with ARRI 3/8-16" and SmallHD 1/4-20" Pin-Loc tapped holes. Great for rigging accessories such as Iris handsets.



NEW – Back side mounted cheese plate with ARRI 3/8-16" and SmallHD 1/4-20" Pin-Loc tapped holes. Great for rigging accessories such as scope or Bit Box.



Side mounted cheese plate with ARRI 3/8-16" and SmallHD 1/4-20" Pin-Loc tapped holes. Great for rigging accessories such as a scope.

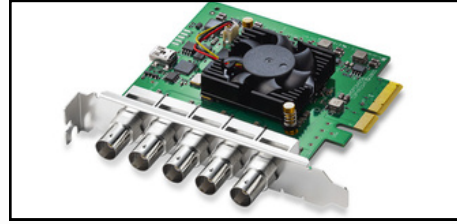


Mounting bracket for AC Supply Adapter that can be mounted to the side cheese plate.

DIT BOX Mk5 Optional Add-Ons



SKU: 14239 Price: \$300 USD / \$400 CAD
 8x DIN to BNC Cables for Decklink Quad 2 (card not included)
For users looking to outfit the PCIe enclosure with the Blackmagic Decklink Quad 2



SKU: 14241 Price: \$57 USD / \$76 CAD
 2x BNC Cables for Decklink Duo 2 (card not included)
For users looking to outfit the PCIe enclosure with the Blackmagic Decklink Duo 2



SKU: 14118 Price: \$63.75 USD / \$85 CAD
 XLR crossover cables for the DIT BOX to Panavision VCLX batteries



SKU: 14238 Price: \$232.50 USD / \$310 CAD
 Third Box IO: LEMO Power Cable + 5x BNC Cables (BOX IO not included)
For users looking to outfit their DIT BOX with a third FSI BOX IO.



SKU: 12803 Price: \$187.50 USD / \$250 CAD
 Bit Box: LEMO Power Cable to Neutrik D-series connector, LEMO Power Cable (Bit box not included)



SKU: 13519 Price: \$93.75 USD / \$125 CAD
 Bracket for Tangent Ripple Color Wheel. Slots into keyway on front of Pelican case.

DIT BOX Mk5 Spigot Mounting Add-Ons



SKU: 12774 Price: \$71.25 USD / \$95 CAD
 Arri 3/8" Pin-Loc Spigot Adapter
(not compatible with Laptop Tray)



SKU: 12960 Price: \$179.25 USD / \$239 CAD
 VESA Quick Release Plate to Spigot Adapter



SKU: 12955 Price: \$254.25 USD / \$339 CAD
 Quick Release VESA Plates to Spigot Adapter – DIT BOX + Laptop Tray QR Accessory Kit
Includes 2x QR Monitor Plates (for DIT BOX Bottom Bracket and Laptop Tray), and 1x Spigot Adapter to QR Receiver Plate

What is the DIT BOX - Base?

The DIT BOX Mk5 and previous DIT BOX systems have been built specifically as live grade systems that house a precise amount of components for a 4 camera workflow. However, in the past and more recently we have had several clients reach out about customizing a DIT BOX for their specific needs (ie. Qtake/Video Assist system). Others may prefer a paired down version of our DIT BOX to build their own power cables or take the base structure and build out a custom setup. With this round of pre orders, we're excited to offer the DIT BOX - Base for those looking to build something unique to their needs.

The DIT BOX - Base is built into a heavily modified Pelican Air 1535 that can easily be packed into remote locations. The custom modified Pelican case features a removable top lid, removable BNC panel cover for transport and a modified backside to accommodate a 120mm fan and 24x Neutrik D-Series connector (almost the same I/O as most DIT carts). Side, back, and 2 front mounted cheese plates with ARRI 3/8-16" and SmallHD 1/4-20" Pin-Loc patterns, allow for mounting additional accessories.

The DIT BOX - Base has a removable machined aluminum frame that helps keep mounted electronics cooler and allows for easy access when service is needed. The aluminum frame is a two shelf system that has four standoffs that space off the lower and upper shelf. Two heights of standoffs are supplied in order to adjust the shelf spacing from 1.75" to 1.375". The bracketry has a 2U rack opening, designed specifically to mount an AJA Kumo 3232 or 1616. The aluminum bracketry comes with mounting patterns on the two shelves to fit devices from our DIT BOX Mk5, however certain adjustments can be made to build out a different system.

The DIT BOX aluminum inner bracketry mounts the following devices:

FSI Box IO (not included) mounting to lower shelf

AJA KUMO 3232 or KUMO 1616 (not included) mounting to 2U rack opening

CalDigit TS4+ (not included) CalDigit TS3 is also still supported. mounting to side bracket. TS4 can be mounted with our new keyhole release bracket, while the TS3 needs to be direct mounted.

NetGear GS105 (not included) mounting to lower shelf by modifying Netgear slightly to slot onto screws.

Decimator DMON-QUAD (not included) mounting to Sonnett mounting enclosure lid, upper shelf or lower shelf

Sonnett Express SE I (not included) with our custom mounting enclosure to upper shelf.

DC Regulator & Distribution Box (not included) mounting to upper or lower shelf (if no upper shelf is used).

Build out the DIT BOX - Base, by purchasing desired add-ons separately, such as the DC Regulator and Distribution Box, Sonnet Echo Express (with custom mounting enclosure), 2pin Lemo cables, among others (see the **DIT BOX - Base Optional Add-ons** for more information)

The Laptop Tray mounts to the DIT BOX laptop brackets to securely mount a 13", 15" or 16" Macbook Pro. Optional accessories for the Laptop Tray are available for mounting to baby pin with a spigot adapter using our Quick Release VESA plate.

The base of the DIT BOX features a bottom bracket for mounting an optional spigot mount, a Ronford Baker QR plate or the Upgrade Innovations QR VESA Plate. The DIT BOX base is also equipped with longer feet to allow your DIT Box to rest sturdily when a Upgrade Innovations QR plate is mounted underneath.

Tip: When determining if components will fit into the DIT BOX, it's crucial to consider not only the dimensions of the component, but also the I/O locations and how cables/connectors add to the overall size, as well as, the mounting patterns (if applicable) and how this impacts the orientation of how it can mount.

DIT BOX - Base Pricing

Price: \$2,670.00 USD / \$3,560.00 CAD (plus applicable tax/shipping)

Deposit required: \$1,500.00 USD / \$2,000.00 CAD (Deposit increases, based on add-ons)

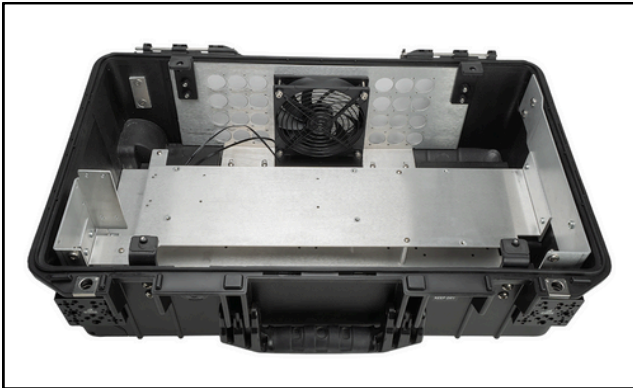
This option includes the following components:

- Modified Pelican 1535 Air with Removable Lid
- DIT BOX Custom Internal Frame
- Laptop Tray with Laptop Clamps and Shim
- Bottom Bracket with 3/8-16 and Vesa Mounting Points
- Rear BNC Panel with 24 slots for Neutrik D-Series connectors (*Neutrik connectors not included*)
- 120mm Fan (*note, requires power from a source such as our DC Distribution Box - via 3pin connector*)
- BNC Panel Label Plates
- Delrin Feet
- **NEW*** Two heights of standoffs to adjust Upper shelf height (1.75" and 1.375")
- **NEW*** 4x Outer Cheese Plate with ARRI 3/8-16" and SmallHD 1/4-20" Pin-Loc mounting
- **NEW*** CalDigit TS4 Keyhole bracket for efficient access & release from DIT BOX

Please note that the DIT BOX DOES NOT ship with the following components: FSI BOX IO, CalDigit, AJA KUMO, Decimator, or Black Magic Quad 2 or Duo 2. We build the box to house these components. Please purchase these devices separately from an authorized local supplier.

The DIT BOX - Base also does not include the electrical components and cables from the DIT BOX Mk5, such as the DC Distribution Box, Sonnet enclosure, power cables and other items. These can be added as optional add-ons to build your bespoke build.

DIT BOX - Base Information



Aluminum Inner Bracket Assembly. Loosen and pull out internal frame to access components when needed.



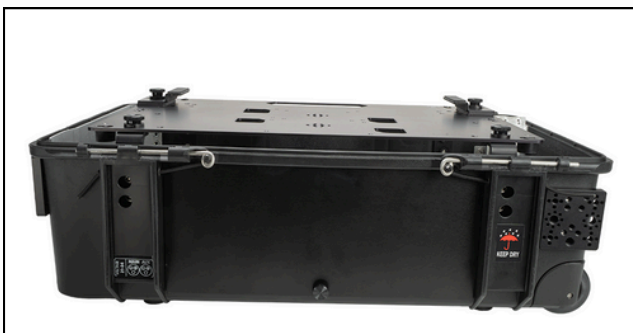
Laptop Tray accommodates Macbook Pro 13", 15" or 16". Laptop Tray is secured to case with two thumbscrews. When removing Laptop Plate, park thumbscrews into available M6 tapped hole.



Front, back and side cheese plates, outfitted with Arri 3/8 and SmallHD 1/4 Pin-Loc



Rear Back Panel to accommodate up to 24x Neutrik D-series connectors.

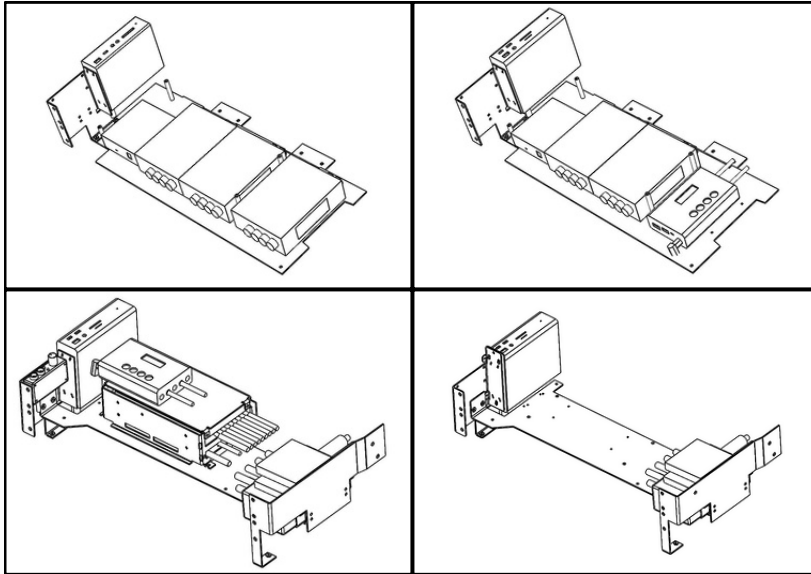


Removable Pelican Top Lid and BNC Cover Plate



BNC label plates provide a flat surface for labelling connectors.

DIT BOX - Base Information



Lower and upper shelf to mount components, along with two heights of standoffs.

Bottom Mounting Bracket and Delrin Feet

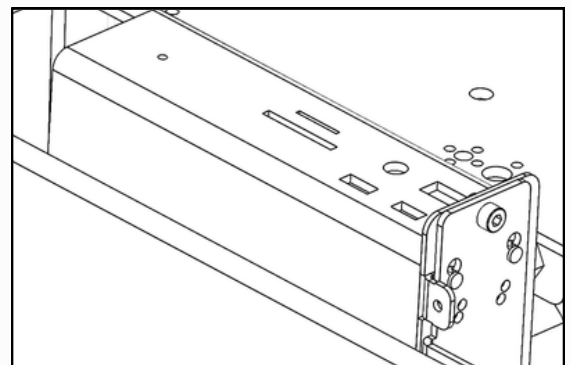


Modified Pelican Air 1535 still features the integrated case features for transport.

NEW – CalDigit TS4 Keyhole bracket for efficient access and release from DIT BOX.

Not compatible with TS3.

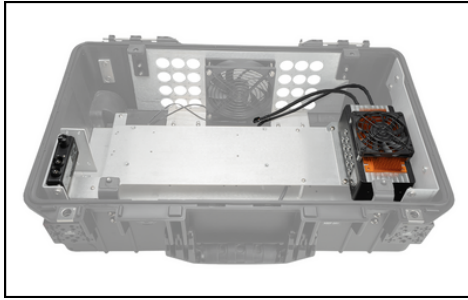
CalDigit TS3 can still be used but only can be direct mounted with screws.



DIT BOX - Base Optional Add-ons

SKU: 12804 Price: \$2,287.50 USD / \$3,050 CAD

DC Regulator and Distribution box with built in fan + 2x Chassis XLR connectors



The power distribution box allows for seamless power swap between the 24V primary & secondary power inputs. The regulated 20V side powers either the CalDigit TS4+ or TS3+ to power your Macbook Pro laptop. It charges the MacBook Pro up to 86 watts via TS3 and 98 watts via TS4. Regulated 12volt power distribution system powers up to 10 devices via 2pin Lemo 0B ports (up to 3amps). Total shared load is 12 Amps (144 Watts).

The power distribution breakout control box has the ability to adjust the fan speed with finer control from 20% to 100%, as well as, turn on and off the 12V and 20V separately for resetting devices. The front LED's show if the Primary and Secondary inputs are getting power. Note that the Primary input overrides the secondary input if power is sufficient to run the DIT BOX. The 3 pole power inputs allow for a primary power input and the secondary backup input for batteries. Both inputs regulate input power from 21-30 volts. The two chassis connector cables are 12" long to connect from the rear panel to the DC box.

Two mounting brackets are provided for the DC box: the DIT BOX Mk5 mounting bracket for the upper shelf with the standard 1.75" standoffs and an L-shaped bracket for mounting to the lower shelf or upper shelf with 1.375" standoffs.

SKU: 12806 Price: \$315 USD / \$420 CAD

24Volt 350 Watt Power Supply with AC cable and Mounting Bracket



Add a 350 Watt AC Power Supply, along with a mounting bracket for AC Supply Adapter that can be mounted to the side cheese plate.

SKU: 14117 Price: \$63.75 USD / \$85 CAD

24 Volt 6' power extension cable



SKU: 14227 Price: \$60 USD / \$80 CAD

CalDigit power cable to XLR

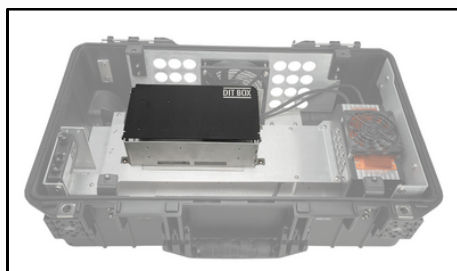


**note image is incorrectly showing a right angle XLR connector. XLR connector will be straight.*

DIT BOX - Base Optional Add-ons

SKU: 12886 Price: \$510 USD / \$680 CAD

Sonnet Echo Express 1 and custom mounting enclosure



Add most single lane capture cards to the DIT BOX including the popular Black Magic DeckLink Quad 2 for 8 channels of HD video I/O or a DeckLink Duo 2 card for 4 channels of HD video I/O. This kit includes the Sonnet Express SE 1 PCIe and our custom enclosure.

**Please also note that the daughter board has been removed so ONLY single slot capture cards are supported.*

SKU: 14236 Price: \$82.50 USD / \$110 CAD

2Pin Lemo Cable for Sonnet Enclosure, 8" Length



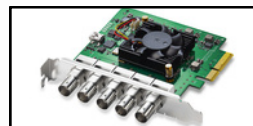
SKU: 14239 Price: \$300 USD / 400 CAD

8x DIN to BNC Cables for Decklink Quad 2 (*Quad 2 card not included*)



SKU: 14241 Price: \$57 USD / \$76 CAD

2x BNC Cables for Decklink Duo 2 (*Duo 2 card not included*)



SKU: 12729 Price: \$41.25 USD / \$55 CAD

NetGear Prosafe GS105 (slightly modified to dock on lower shelf)



SKU: 14233 Price: \$82.50 USD / \$110 CAD

2Pin Lemo Cable for Netgear Prosafe GS105, 16" Length



SKU: 14228 Price: \$82.50 USD / \$110 CAD

2Pin Lemo Cable for AJA 1616 or 3232, 9" Length

SKU: 14234 Price: \$71.25 USD / \$95 CAD

2Pin Lemo Cable to bare wires, 24" Length

SKU: 14232 Price: \$82.50 USD / \$110 CAD

2Pin Lemo to 5.5/2.5mm RA Locking plug cable for Decimator power, 17"

SKU: 14229 Price: \$82.50 USD / \$110 CAD

#14229 - 2Pin Lemo to TA4F cable for BOXIO #2, 14" Length

SKU: 14231 Price: \$82.50 USD / \$110 CAD

#14229 - 2Pin Lemo to TA4F cable for BOXIO #1, 19" Length

DIT BOX - Base Optional Add-ons

SKU: 12813 Price: \$22.50 USD / \$30 CAD

Ethernet Cable for AJA (22" Length)

SKU: 12812 Price: \$22.50 USD / \$30 CAD

Ethernet Cable for Rear Panel or BoxIO #3 (16" Length)

SKU: 12811 Price: \$22.50 USD / \$30 CAD

Ethernet Cable for CalDigit (14" Length)

SKU: 12808 Price: \$22.50 USD / \$30 CAD

Ethernet Cable for BoxIO #1 (6" Length)

SKU: 12809 Price: \$22.50 USD / \$30 CAD

Ethernet Cable for BoxIO #2 (12" Length)



SKU: 14113 Price: \$15 USD / \$20 CAD

D Pattern chassis BNC feedthrough

(includes M3 mounting screws)

SKU: 14114 Price: \$33.75 USD / \$45 CAD

D Pattern chassis Ethernet feedthrough



(includes M3 mounting screws)

SKU: 14238 Price: \$232.50 USD / \$310 CAD

Third Box IO: LEMO Power Cable + 5x BNC Cables *(Box IO not included)*



SKU: 14118 Price: \$63.75 USD / \$85 CAD

XLR crossover cables for the DIT BOX to Panavision VCLX batteries



SKU: 12803 Price: \$187.50 USD / \$250 CAD

DIT BOX Bit Box Cable Package

SKU: 12803 Price: \$93.75 USD / \$125 CAD

DITBOX Tangent Ripple ColorWheels Tray



SKU: 12774 Price: \$71.25 USD / \$95 CAD

Arri 3/8" Pin-Loc Spigot Adapter

(not compatible with Laptop Tray)



SKU: 12960 Price: \$179.25 USD / \$239 CAD

VESA Quick Release Plate to Spigot Adapter



SKU: 12955 Price: \$254.25 USD / \$339 CAD

Quick Release VESA Plates to Spigot Adapter –
DIT BOX + Laptop Tray QR Accessory Kit

*Includes 2x QR Monitor Plates (for DIT BOX
Bottom Bracket and Laptop Tray), and 1x Spigot
Adapter to QR Receiver Plate*

