



# Quick Release Mount Adapter Assembly Instructions

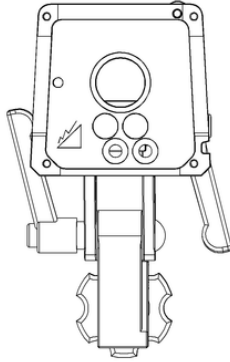
## QR Receiver Plate Mounting

Upgrade your Upgrade Innovations VESA to Spigot Mount with Quick Release

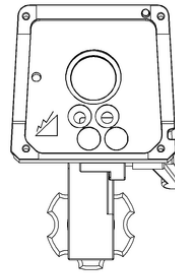
Components provided:

1/4-20 x 5/8 Flat Head Socket Head Screws

Two hole patterns are provided on the QR Receiver Plate, one centered and one offset. You want to have the VESA mounting pattern centered with the spigot, depending on monitor mount model.



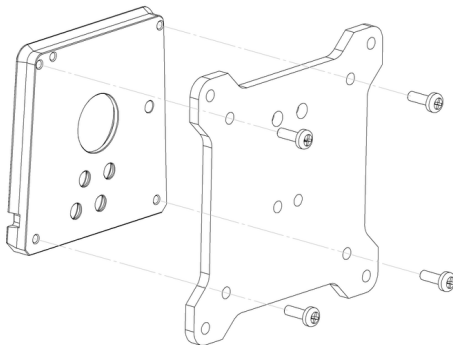
Centered hole patterns are used on our MMS11/MMS11-MC Twin Hinge models



Offset hole patterns are used on our MMS09/MMS12 Single Hinge models

## QR Receiver Plate Mounting to VESA 75

Add Quick Release to any VESA 75mm compatible third party stand, bracket, arm or wall mount.



Components provided:

M4 x 10mm Pan Head Phillips

M4 x 12mm Pan Head Phillips

\*Different length screws are provided to accommodate third party monitor plate mounting. Check third party monitor plate for compatibility, as thickness of plate will affect screw length required.

## Red Safety Thumbscrew

Additional locking mechanism to solidly secure your production monitor

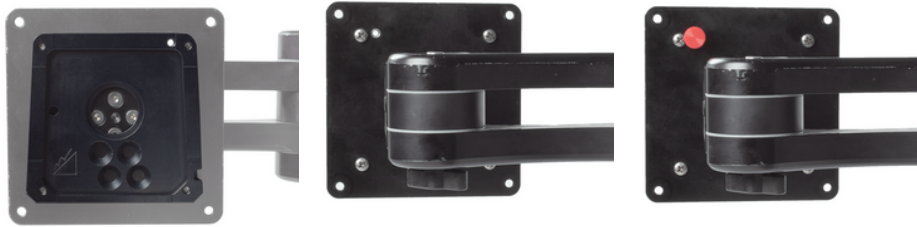
Components provided:

M4 x 12mm Red Thumbscrew (for Upgrade Innovations Mounts)

M4 x 16mm Red Thumbscrew (for third party mounts)

\*Different length screws are provided to accommodate third party monitor plate mounting as well as standard Upgrade Innovations QR setup.





### How to install Safety Thumbscrew to Third Party Mounts

Mount QR Receiver Plate to third party monitor plate with provided screws.

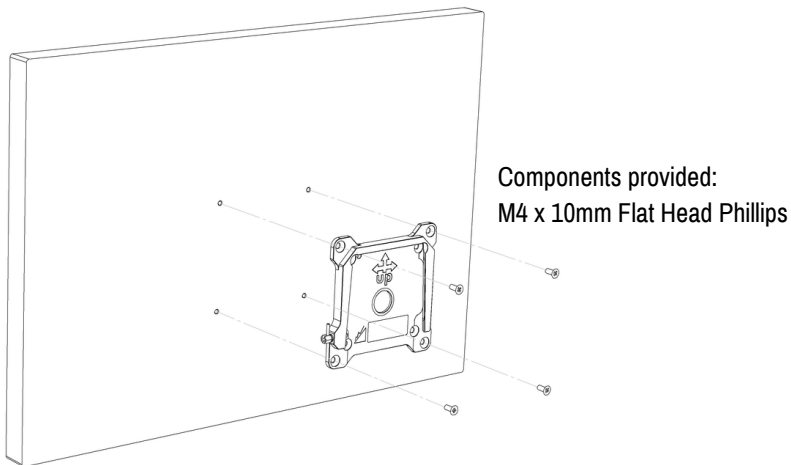
Once mounted, transfer the position of the threaded M4 safety screw hole.

Remove QR Receiver Plate and drill a clearance hole for M4 safety thumbscrew into third party monitor plate. Remove burrs.

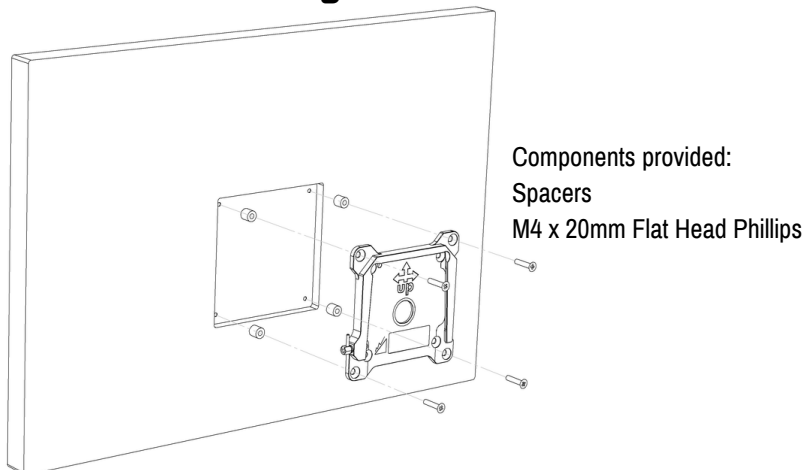
Recommended Drill size: Metric: 5mm drill. Imperial: Fraction sized drill 3/16"

Mount QR Receiver Plate and thread in M4 x 16mm Safety Thumbscrew

### QR Monitor Plate Mounting



### Recessed Mounting Holes



**For Upgrade Innovations monitor mounts. Always check load rating of monitor mount. All mounting and installation shall conform to FD manufacturer and VESA Flat Display Mounting Interface (FDMI) Standard**