

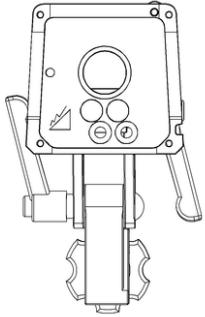


Quick Release Mount Adapter Assembly Instructions

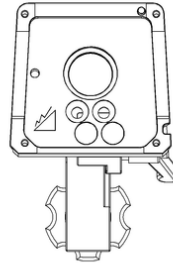
Components provided:

1/4-20 x 5/8 Flat Head Socket Head Screw

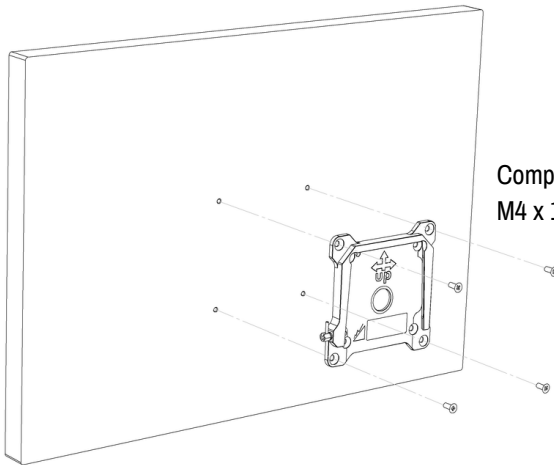
Two hole patterns are provided on the QR Receiver Plate, one centered and one offset. You want to have the VESA mounting pattern centered with the spigot, depending on monitor mount model.



Centered hole patterns are used on our MMS11/MMS11-MC Twin Hinge models



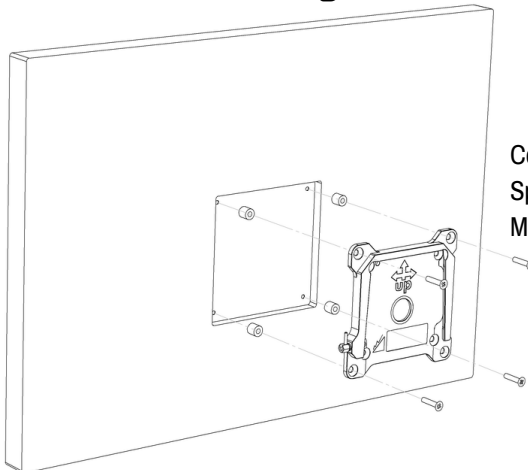
Offset hole patterns are used on our MMS09/MMS12 Single Hinge models



Components provided:

M4 x 10mm Flat Head Phillips

Recessed Mounting Holes



Components provided:

Spacers

M4 x 20mm Flat Head Phillips

For Upgrade Innovations monitor mounts. Always check load rating of monitor mount. All mounting and installation shall conform to FD manufacturer and VESA Flat Display Mounting Interface (FDMI) Standard