



Whaley Header Assembly Instructions

Mount the Spigot Adapter

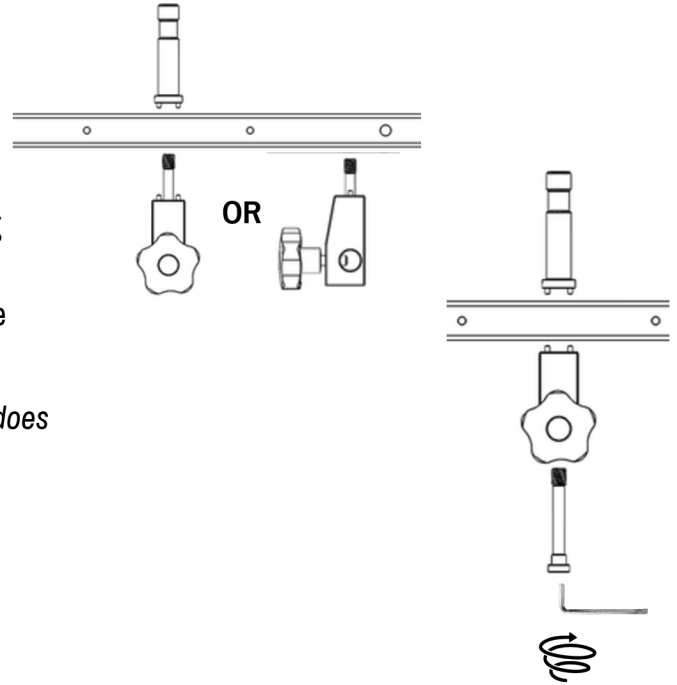
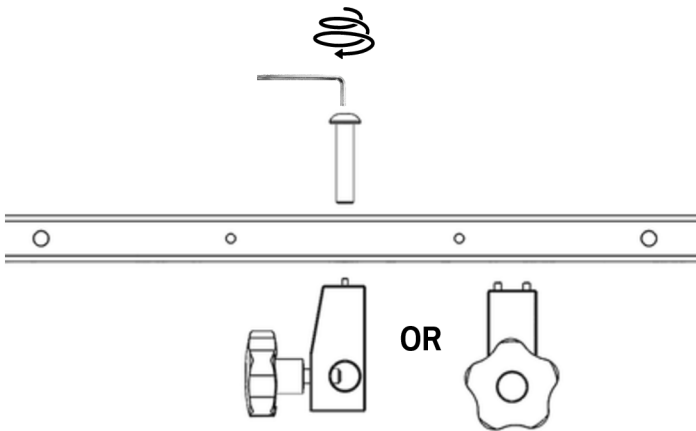
Triple Header

Determine mounting orientation.

Line up locking pins on spigot and baby pin to center mounting holes on rail.

Using a 7/32 Hex tighten the bolt from inside the spigot into the baby pin

**Ensure tie down knob is removed or loosened enough that it does not interfere with bolt.*



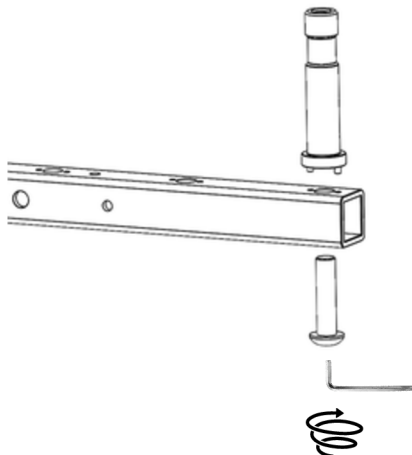
Double Header

Determine mounting orientation.

Line up locking pins on spigot to center mounting holes on rail.

Using a 7/32 Hex tighten the bolt from the top down into the spigot adapter through the hole in the rail.

Mount the Baby Pins



Line up locking pins on spigot to mounting holes on rail
Using a 7/32 Hex tighten the bolt on the underside of the rail into the baby pin.

Loctite

Included with your header is a loctite thread locker to help prevent your threads from coming loose. Use according to package instructions.

